

# Robusto – LP – 400 Volt



Fig.: Version Asbestos

- Crane-eyelets for easy transport
- Large fixed castors for rough terrain
- Longopac-System for dust free disposal
- Filter chamber lift space-saving transport
- Extra strong chassis
- **TRGS 519** certified versions for activities involving **Asbestos** available

to 3,0 kW:



from 4,0 kW:



# EVOTEC

**ROBUSTO 1122-LP**  
**ROBUSTO 2130-LP**  
**ROBUSTO 2155-LP**  
**ROBUSTO 2175-LP**

1.500 to 7.500 watt  
230 or 400 volt  
200 to 380 mbar  
220 to 510 m<sup>3</sup>/h

**Standard version:**



**As Upgrade:**



**Robust industrial vacuum cleaner for sucking up all dry dust particles – from coarse dirt to fine dust ( $\mu\text{m}$ )**

**High quality standards –**

well-designed, silenced and maintenance-free turbine (side channel blower) as vacuum generator. Suitable for **three-shift-operation**. Can also be used on pipe systems or with very long hoses.

**Cyclone separator** for better pre-separating of fine dust particle and coarse matter.

Effective, easy to use **filter cleaning** for long operating intervals without interruption.

**Vacuum gauge** for filter monitoring.

**1<sup>st</sup> level filter (standard):**

Durable polyester needle-felt filter with **PUR-membrane**, dust class **M**, high filter effect for long durability.

Patented, tool less **filter change** with **low contamination risk**.

**Longopac Disposal System:** "Endless" plastic bag for easy and contamination-free disposal of the suction material

Fast coupling with locking mechanism and rotating device for a secure connection of the suction hose.





Length of the connection cable: 8 m

Type **ASBESTOS** including 5,0 m exhaust air hose  $\varnothing$  70 mm.

**Upgrade: Dust class H**

**2<sup>nd</sup> level filter:** absolut filter cartridge dust class **H (H14)**

**Upgrade: GS and EX (Type22)** Phase direction monitor and vacuum limit valve for the **faultless use of the device**.

Modell		ROBUSTO 1122-LP	ROBUSTO 2115-LP	ROBUSTO 2122-LP	ROBUSTO 2130-LP	ROBUSTO 2155-LP	ROBUSTO 2175-LP
Voltage	Volt	230	400	400	400	400	400
Power output	Watt	2.200	1.500	2.200	3.000	5.500	7.500
Max. airflow rate	m <sup>3</sup> /h	310	220	330	330	480	700
Max. negative pressure	mbar	220 / 260 max.	200 / 240 max.	240 / 340 max.	240 / 340 max.	260 / 340 max.	260 / 320 max.
Filter surface „M“	m <sup>2</sup>	1,75	1,75	1,75	1,75	3,2	3,2
Filter surface „H“ (H14)	m <sup>2</sup>	+ 1,7	+ 1,7	+ 1,7	+ 1,7	+ 4,3	+ 4,3
Dirt container	ltr.	Longopac	35	35	Longopac	Longopac	Longopac
Type of protection		IP 55	IP 55	IP 55	IP 55	IP 55	IP 55
Noise level	dB(A)	76	76	76	77	78	78
Suction connection	$\varnothing$ mm	80	80	80	80	80	80
Dimension	cm	94 x 60 x 163h	94 x 60 x 120h	94 x 60 x 120h	94 x 60 x 163h	110 x 68 x 173h	110 x 68 x 173h
Weight	kg	140	140	148	150	195	215
<b>Dust class M</b>	<b>Art.-No.</b>	<b>151-3060</b>	<b>251-4133</b>	<b>251-4134</b>	<b>251-4150</b>	<b>251-4180</b>	<b>251-4200</b>
<b>Upgrade Dust class H</b>	<b>Art.-No.</b>	<b>054-20018</b>	<b>054-20018</b>	<b>054-20018</b>	<b>054-20018</b>	<b>054-20033</b>	<b>054-20033</b>
<b>Upgrade</b> 	<b>Art.-No.</b>	<b>054-6435</b>	<b>054-6435</b>	<b>054-6435</b>	<b>054-6435</b>	<b>054-6455</b>	<b>054-6455</b>
<b>Upgrade</b>  	<b>Art.-No.</b>		<b>054-6433</b>	<b>054-6433</b>	<b>054-6433</b>	<b>054-6453</b>	<b>054-6453</b>
<b>Dust class H/Asbestos</b> including 	<b>Art.-No.</b>		<b>251-4093</b>	<b>251-4103</b>	<b>251-4113</b>	<b>251-4123</b>	<b>251-4133</b>

**Up to 5.5 kW included in delivery:** 3.5 m suction hose  $\varnothing$  50 mm and scoring nozzle



# Explanation Details



**EP 1122-LP**  
**EP 2130-LP**  
**EP 2155-LP**  
**EP 2175-LP**



Vacuum limit valve

Position of  
H-filter cartridge

Large accessory  
box



Crane-eyelets for  
easy transport,  
e.g. building site

20 cm lowerable  
V2A-filter chamber  
for M-filter

Manual filter-  
shaker

Robust push bracket



Ø 80 mm suction connection

Hopper with heavy-duty lid

Vacuum gauge  
for filter monitoring

„Endless“-bag  
Longopac

Connection for  
exhaust air hose  
while extracting asbestos

Filter chamber-  
Lift-Function

Maintenance-free  
Turbine in  
robust turbine housing

Protection doors

Fixed castors  
for heavy loads,  
large diameter Ø 200mm

Strong chassis,  
powder coated steel

Large ball bearing  
castor wheels with  
arrestor, Ø 160 mm

## Disposal options



### Longopac - bag

„Endless“-bag for easy and dust free disposal of the absorbed matter. 20m tubular bag with cable straps to seal.

Packing unit = 4 units á 20 Meter 

#### Stable ESD-Quality

Thickness: 68 mic. **235-1050**

#### Extra sturdy quality

(not ESD)  
Thickness: 68 mic. **235-1060**

## Device Options



### Spark trap with metal knit insert

prevents the suction of sparks into the system. Different diameters for integration in pipe system or suction hose

Ø 80 mm **072-0628**  
Ø 100 mm **072-0629**  
Ø 150 mm **072-0630**

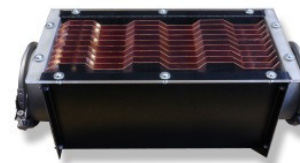


### Hose bracket

Optimal for the storage of long hoses.

Suitable for all models with 60 liter dirt container (EP1136, EP2122 ECO, EP2130 ECO, EP 2122, EP 2130, EP 2140 ECO, EP 2155 ECO)

**Suitable for up to 10 m hose**  
**053-3070**



### Spark trap

Prevents the suction of sparks into the vacuum cleaner. Due to the air redirection, the sparks bounce against the copper plates and expire. Via the detachable faceplate the trap can be cleaned.

connections Ø 80 mm **053-4000**  
connections Ø 150 mm **053-4001**

## Pocket filter



### Dust class M

Polyester-needle felt with **PUR-Membrane**  
(installed by default)  
**Non-stick properties** – for sticky or adhesive dusts  
Also for the suction of fine dust with abrasive nature (e.g. fiber glass)

1,75 m<sup>2</sup>, Ø 400 mm = **054-20085B**  
2,20 m<sup>2</sup>, Ø 500 mm (fig) = **054-20086B**  
3,20 m<sup>2</sup>, Ø 500 mm = **054-20087B**  
5,20 m<sup>2</sup>, Ø 500 mm = **054-20088**



### Dust class M

Robust polyester-needle felt with **PTFE-Membrane**  
Non-stick properties – for sticky or adhesive dusts

Heat-resistant  
Temporary (30 min.) up to 200 °C  
Continuous up to 150 °C

Video on  


1,75 m<sup>2</sup>, Ø 400 mm = **054-20115**  
2,20 m<sup>2</sup>, Ø 500 mm = **054-20116**  
3,20 m<sup>2</sup>, Ø 500 mm (fig) = **054-20117**  
5,20 m<sup>2</sup>, Ø 500 mm = **054-20118**



### Dust class M

Polyester-needle felt with **antistatic PUR-Membrane**

**Antistatic** – for the suction of dust that can accumulate static charge

**Food-safe** – for the application in sensitive areas such as pharmaceutical or food production

1,75 m<sup>2</sup>, Ø 400 mm = **054-20127**  
2,20 m<sup>2</sup>, Ø 500 mm (fig) = **054-20128**  
3,20 m<sup>2</sup>, Ø 500 mm = **054-20129**  
5,20 m<sup>2</sup>, Ø 500 mm = **054-20130**



### Dust Class H (H14)

**Absolute cartridge filter for all types of EVOTEC**  
Double-sided support grid,  
to buy for replacement:

1,7 m<sup>2</sup>, Ø 400 mm = **054-20018**  
2,0 m<sup>2</sup>, Ø 500 mm = **054-20027**  
4,3 m<sup>2</sup>, Ø 500 mm = **054-20033**

Options / Accessories ROBUSTO line	
	<p><b>Upgrade to dust class H</b>  <b>Absolute-cartridge filter</b>            Dust class H (H14) Double-sided support grid</p> <p>1,7 m<sup>2</sup>, Ø 400 mm = <b>054-20018</b>            2,0 m<sup>2</sup>, Ø 500 mm = <b>054-20027</b>            4,3 m<sup>2</sup>, Ø 500 mm = <b>054-20033</b></p>
<p><b>to 3,0 kW:</b></p> 	<p><b>from 4,0 kW:</b></p> 
<p><b>Upgrade „tested for safety“</b>  <b>GS-configuration - including GS-certificate</b>            Equipment according to DIN 60335-2-69 for the use of the vacuum cleaner in areas with high safety requirements.</p> <p>Including phase direction monitor and phase changing plug</p> <p>for 2,2 - 3,0 kW = <b>054-6435</b>            for 5,5 - 7,5 kW = <b>054-6455</b></p>	
	
<p><b>Upgrade EX-proof for zone 22 including GS-certificate</b>            EX-proof-equipment of the vacuum cleaner for the safety suction of fine dusts in hazardous area in zone 22.</p> <p>Including phase direction monitor, phase changing plug and vacuum limit valve</p> <p>for 2,2 - 3,0 kW = <b>054-6433</b>            for 5,5 - 7,5 kW = <b>054-6453</b></p>	
	<p><b>ASBESTOS-Exhaust air hose</b>            Complete with Stortz-coupling for connecting it to the exhaust vent, diameter Ø 70 mm</p> <p>1,5 kW to 5,5 kW = <b>053-3092</b>            7,5 kW = <b>053-3093</b></p>

Filter cleanings and replacement filters	
	<p><b>Atmospheric Pulse-cleaning (PPU)</b>            Sudden atmospheric pressure cleans the pockets/pleats of the filter at defined time intervals. Including automatic controls</p> <p>For Pocket filter from 1,75 m<sup>2</sup> and cartridge filter up to 5 m<sup>2</sup>, 1 ¼" inch  <b>053-3026</b></p> <p>For Pocket filter from 2,2 m<sup>2</sup> and cartridge filter up to 10 m<sup>2</sup>, 1 ½" inch  <b>053-3025</b></p>
	<p><b>Cartridge filter – to buy for replacement for pulse-cleaning (PPU), Dust class M</b></p> <p>5,0 m<sup>2</sup> electrically conductive  <b>054-20123</b></p> <p>5,0 m<sup>2</sup> PTFE electrically conductive  <b>054-20122</b></p> <p>10,0 m<sup>2</sup>  <b>054-20102</b></p> <p>10,0 m<sup>2</sup>, V4A electrically conductive and food safe  <b>054-20103</b></p>
without picture	<p><b>Electromechanical filter-cleaning</b>            Automatic filter-cleaning after switching off the vacuum cleaner. The pockets or folds are set in vibration with a shaker motor and the dust is shaken off</p> <p>universal  <b>053-3027</b></p>

## Control options



### Frequency converter (FU)

For variable speed control and increased performance of the turbine.

#### Version for 230 Volt:

1,5 kW **054-6911**  
2,2 to 3,0 kW **054-6912**

#### Version for 400 Volt:

1,5 kW **054-6921**  
2,2 to 3,0 kW **054-6922**  
4,0 to 5,5 kW **054-6923**  
5,5 to 7,5 kW **054-6924**  
7,5 to 11,0 kW **054-6925**  
11,0 to 15,0 kW **054-6926**

Suitable holding console for the switch box please order as well: **054-40208**



### Remote ON/OFF via cable (FSK)

24 volts with power supply unit (potential free contact), output voltage 24 volts AC with interconnection point, motor protection relay, switch = 0/automatic/hand.

If not in combination with FU, additional switch box is needed for FSK.

**Without** switch box **054-6931**  
**With** switch box **054-6930**  
holding console for switch box **054-40208**



### Remote ON/OFF via radio (FSF)

With hand-held transmitter and receiver, operates up to 350 m distance.

If not in combination with FU, additional switch box is needed for FSK.

**Without** switch box **054-6933**  
**With** switch box **054-6932**  
holding console for switch box **054-40208**  
Additional hand-held transmitter **054-60322**

## Device options



### Activated carbon filter module

To absorb odors and fumes.

25-l-container filled with activated carbon, individual matching, suitable for all models with turbine chassis

**053-2060**



### Electronic liquid level control

Can be ordered directly with the vacuum cleaner. The control allows the suction of liquids with a dry vacuum cleaner due to the flex probe.

The probe plunges into the dirt container and prevents the spilling over of liquids.

**Only for dust classes M and H (not Type22).**

Consisting of a flex probe, holder and electronics

**053-3040**

## Pre-separator



### Pre-separator 100 liters

Completely made of stainless steel with 4 swivel castors.

Different connector bends

Ø 60 + Ø 50 mm = **053-1090**

Ø 60 + Ø 40 mm = **053-1091**

Ø 50 + Ø 50 mm = **053-1092**

Ø 40 + Ø 40 mm = **053-1093**

Ø 40 + Ø 50 mm = **053-1094**

Attention: The suction hose needs two suction side fittings!

### Floating system for pre-separator

for suction of liquids **053-1051**

### Draining hose for pre-separator

universally suitable **053-3010**

**Connection hose** for the connection to the vacuum cleaner,

complete with fittings, length 2,0 m, Ø 60 mm

**PUR** = **053-3081**

**Superflex** = **053-3080**



### Tandem connection set

For 100 liter or 150 liter pre-separators.

With this set the pre-separator can be combined with the industrial vacuum cleaner to form a mobile unit.

Incl. connection hose from pre-separator to vacuum cleaner (angled hose coupling)

### Suitable for models

EP 1136, EP 2122 ECO und EP 2130 ECO  
**053-2070**

## Cartridge filter system with jet cleaning



### Cartridge filter unit with Jet-cleaning

Filter surface 7,5 m<sup>2</sup>, PTFE antistatic, with FDA certificate

Perfect for automatic and continuous cleaning of filter cartridge while sucking up very fine and dry dust particles.

Cleaning cycles are induced by the automatic control and can be defined as required.

The system cleans the filter elements in the cartridge with blasts of compressed air. It is not necessary to shut down the engine.

Filter cartridge class M, antistatic (standard). Combination with filter dust class H (H14) is possible.

**Attention: external compressed air necessary!**

Included in delivery:

Reservoir for compressed air, volume expansion, control unit, cartridge filter, cleaning unit

### For models:

EP 2122, EP 2130, EP 2140 ECO, EP 2150 ECO  
**053-3022**

EP 2140 and EP 2155  
**053-3021**



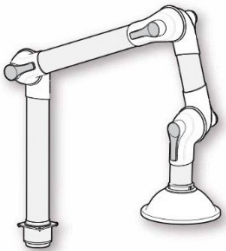
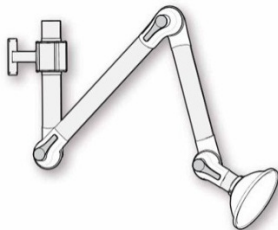
EP 2175 and EP 21130  
**053-3020**



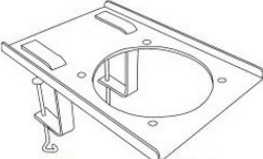
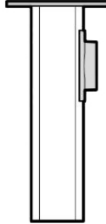
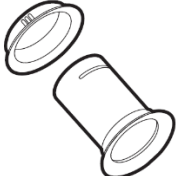
### To buy for replacement

conical, Filter surface 7,5 m<sup>2</sup>, PTFE antistatic  
**054-20092**





Suction arms 	
	<p>The suction arm allows the <b>punctual</b> suction directly at the point of origin. Due to the <b>self-supporting construction</b> simple to handle and easy to position. Antistatic design and therefore usable for the <b>use in ESD-areas</b> (grounded with a resistance of 1MΩ).</p> <p><b>Size Ø 50 mm – ideal up to 3 kW</b> Optimal for small coverage areas, e.g. in electronic industries, laboratories, dentistry, laser technologies, nail spa, gold smith etc.</p> <p><b>Size Ø 75 mm – ideal from 3 kW</b> Usable in many different sectors, e.g. laboratories, laser technology, chemical and pharmaceutical industry, food industry, schools, universities or machine industry.</p>
	<p><b>Suction arm ESD, for table mounting</b> Inclusive holder for table duct.</p> <p>Ø 50 mm Reach 1.300 mm <b>072-0400</b> Reach 1.500 mm <b>072-0401</b></p> <p>Ø 75 mm Reach 1.300 mm <b>072-0402</b> Reach 1.500 mm <b>072-0403</b></p>
	<p><b>Suction arm ESD, for ceilings and wall mounting</b> Including wall / ceiling bracket</p> <p>Ø 50 mm Reach 1.300 mm <b>072-0404</b> Reach 1.500 mm <b>072-0405</b></p> <p>Ø 75 mm Reach 1.300 mm <b>072-0406</b> Reach 1.500 mm <b>072-0407</b></p>

Suction arms and options 	
	<p><b>Universal console</b></p> <p>Bracket / console for the extraction arm of EVOTEC industrial vacuum cleaners.</p> <p>Ø 50 mm <b>053-3051</b> Ø 75 mm <b>053-3061</b></p>
	<p><b>Flexible table console ESD</b></p> <p>Holder/Console for mounting the arm on a (table-)plate, universal for</p> <p>Ø 50 mm / Ø 75 mm <b>072-0428</b></p>
	<p><b>Ceiling console ESD</b></p> <p>Universal holder/console for arm Ø 50 mm and Ø 75 mm, diverse lengths:</p> <p>Length 250 mm <b>072-0418</b> Length 500 mm <b>072-0419</b> Length 750 mm <b>072-0420</b> Length 1000 mm <b>072-0421</b></p> <p>Further lengths on request</p>
	<p><b>Straight hood tube ESD</b></p> <p>Spare part for hood, also usable as straight inlet nozzle.</p> <p>Ø 50 mm <b>072-0429</b> Ø 75 mm <b>072-0430</b></p>



(All Ø specifications refer to the inner hose diameter)

## PP- hose and - components

Made of polypropylene (PP), antistatic, with suitable fittings.  
Well suitable for the industrial usage.



### PP-suction hose antistatic, complete with fittings

Length 3,5 m Ø 40 mm = **052-0151**  
Length 3,5 m Ø 50 mm = **052-0248**  
Length 5 m Ø 40 mm = **052-0152**  
Length 5 m Ø 50 mm = **052-0249**



### Linear meters (for extension or self-manufacturing)

Ø 40 mm = **052-0130**  
Ø 50 mm = **052-0230**



### Fitting (suction side) for PP-hose antistatic

Ø 40 mm = **052-0140**  
Ø 50 mm = **052-0240**



### Fitting (vessel side) for PP-hose antistatic incl. retaining ring

Ø 80 - 40 mm = **052-0159**  
Ø 80 - 50 mm = **052-0256**  
only ECODust/Compact  
Ø 60 - 40 mm **052-0145**  
Ø 60 - 50 mm **052-0244**

## Superflex-hose and - components

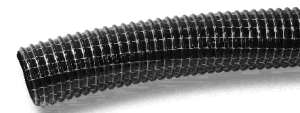
Made of polypropylene (PP), thread-strengthened and spiral-protected. Extra light and flexible also for longer distances. Well-suitable for industrial usage.

Discharging = when spiral is grounded



### Superflex-suction hose, electrically conductive, complete with fittings

Length 3,5 m Ø 40 mm = **052-0153**  
Length 3,5 m Ø 50 mm = **052-0250**  
Length 5 m Ø 40 mm = **052-0154**  
Length 5 m Ø 50 mm = **052-0251**



### Linear meters (for extension or self-manufacturing)

Ø 40 mm = **052-0133**  
Ø 50 mm = **052-0136**  
Ø 60 mm = **054-90037**



### Fitting (suction side) for Superflex-hose antistatic

Ø 40 mm = **052-0139**  
Ø 50 mm = **052-0239**



### Fitting (vessel side) for Superflex-hose antistatic, incl. retaining ring

Ø 80 - 40 mm = **052-0158**  
Ø 80 - 50 mm = **052-0255**  
only ECODust/Compact  
Ø 60 - 40 mm **052-0144**  
Ø 60 - 50 mm **052-0243**

**(All Ø specifications refer to the inner hose diameter)**

## PUR-hose and - components

Made of polyurethane (PUR). Enhanced by integrated steel spiral. Oil-resistant, sturdy and suitable for abrasive dusts. Heat proof up to 125°C. Well-suited for extreme industrial usage.

**Discharging** = when spiral is grounded

	<p><b>PUR-suction hose, electrically conductive, complete with fittings</b></p> <p>Length 3,5 m Ø 40 mm = <b>052-0155</b>                  Length 3,5 m Ø 50 mm = <b>052-0252</b>                  Length 5 m Ø 40 mm = <b>052-0156</b>                  Length 5 m Ø 50 mm = <b>052-0253</b></p>
	<p><b>Linear meters</b> (for extension or self-manufacturing)</p> <p><b>Discharging when spiral is grounded</b></p> <p>Ø 40 mm = <b>052-0136</b>                  Ø 50 mm = <b>052-0236</b>                  Ø 70 mm = <b>052-0309</b></p> <p><b>Reinforced version:</b></p> <p>Ø 40 mm = <b>052-0157</b>                  Ø 50 mm = <b>052-0254</b>                  Ø 70 mm = <b>052-0310</b></p>
	<p><b>Fitting (suction side)</b> for <b>PUR-hose</b> antistatic</p> <p>Ø 40 mm = <b>052-0141</b>                  Ø 50 mm = <b>052-0241</b>                  Ø 70 mm = <b>052-0311</b></p>
	<p><b>Fitting (boiler side)</b> for <b>PUR-hose</b> antistatic incl. Retaining ring</p> <p>Ø 80 - 40 mm = <b>052-0160</b>                  Ø 80 - 50 mm = <b>052-0257</b></p> <p>only <b>ECODust/Compact</b></p> <p>Ø 60 - 40 mm = <b>052-0146</b>                  Ø 60 - 50 mm = <b>052-0245</b></p>

## ESD-hose and - components

Hose material: polyurethane (PUR) or polypropylene (Superflex). Both spiral-supported, Superflex additionally reinforced with thread. Ideally suited material for industrial use in potentially explosive atmospheres.

**Completely electrically conductive 10<sup>3</sup> to 10<sup>4</sup> Ω**

	<p><b>ESD-Superflex-suction hose</b> Completely electrically conductive 10<sup>4</sup> Ω</p> <p>Ø 40 mm = <b>052-0200</b>                  Ø 50 mm = <b>052-0287</b></p>
	<p><b>ESD-PUR-suction hose</b> Completely electrically conductive 10<sup>3</sup> Ω</p> <p>Ø 40 mm = <b>052-0196</b>                  Ø 50 mm = <b>052-0281</b></p>
	<p><b>Fitting (suction side)</b></p> <p>for <b>ESD-Superflex-suction</b> antistatic</p> <p>Ø 40 mm = <b>052-0139</b>                  Ø 50 mm = <b>052-0239</b></p> <p>for <b>ESD-PUR-suction</b> antistatic</p> <p>Ø 40 mm = <b>052-0141</b>                  Ø 50 mm = <b>052-0241</b></p>
	<p><b>Fitting (boiler side)</b> for <b>ESD-Superflex-suction</b> hose antistatic incl. Retaining ring</p> <p>Ø 80 - 40 mm = <b>052-0158</b>                  Ø 80 - 50 mm = <b>052-0255</b></p> <p>for <b>ESD-PUR-suction</b> hose antistatic</p> <p>Ø 80 - 40 mm = <b>052-0160</b>                  Ø 80 - 50 mm = <b>052-0257</b></p>

## Metal-hoses and - components

Made of metal, reinforced with metal bands and sealing threads.  
Axial flexible, torsionally rigid, heat proof up to 400° C.  
Suitable for dry dusts only.

	<p><b>Metal-suction hose</b> fiberglass-compressed, complete with fittings</p> <p>Length 3,5 m Ø 40 mm = <b>052-0186</b> Length 3,5 m Ø 50 mm = <b>052-0271</b> Length 5 m Ø 40 mm = <b>052-0187</b> Length 5 m Ø 50 mm = <b>052-0272</b></p>
	<p><b>Linear meters</b> (for extension or self-manufacturing)</p> <p>Ø 40 mm = <b>052-0185</b> Ø 50 mm = <b>052-0270</b></p>
	<p><b>Universal fitting (boiler side), usable for all hose types</b></p> <p>Ø 80 - 40 mm = <b>052-0175</b> Ø 80 - 50 mm = <b>052-0266</b> Ø 80 - 60 mm = <b>054-90013</b> Ø 80 - 70 mm = <b>052-0312</b> Ø 80 - 80 mm = <b>052-0322</b></p>
	<p><b>Fitting (suction side)</b> for <b>Metal</b> hose</p> <p>Ø 40 mm = <b>052-0112</b> Ø 50 mm = <b>052-0208</b></p>

## - Accessories

	<p><b>Crevice nozzle, metal</b></p> <p>Ø 40 x 300 mm = <b>052-0109</b> Ø 40 x 500 mm = <b>052-0108</b> Ø 40 x 800 mm = <b>052-0107</b> Ø 50 x 300 mm = <b>052-0218</b> Ø 50 x 600 mm = <b>052-0219</b></p>
	<p><b>Inclined tube nozzle, metal</b></p> <p>Ø 40 x 300 mm = <b>052-0110</b> Ø 50 x 300 mm = <b>052-0217</b></p>
	<p><b>Crevice nozzle metal, curved</b></p> <p>Ø 50 mm = <b>052-0220</b></p>
	<p><b>Rubber crevice nozzle, with connecting tube antistatic</b></p> <p>Ø 40 x 400 mm = <b>052-0150</b> Ø 50 x 430 mm = <b>052-0203</b></p>

## Practical accessory sets

### Machine cleaning kit

optimized for the cleaning of production machines, complete antistatic

Consisting of bulk suction nozzle, inclined tube rubber nozzle and pointed rubber nozzle



- Ø 40 mm      **052-1081**
- Ø 50 mm      **052-1071**

### Industrial floor cleaning kit

for the cleaning of all floors, complete antistatic



Consisting of multi-part hand tube, metal revolving nozzle with brush strip and replacement rubber strips

- Ø 40 mm, width 370 mm      **052-1031**
- Ø 40 mm, width 450 mm      **052-1036**
- Ø 50 mm, width 370 mm      **052-1041**
- Ø 50 mm, width 450 mm      **052-1051**
- Ø 50 mm, width 500 mm      **052-1061**



[You Tube](#)

### Set for cleaning at altitude


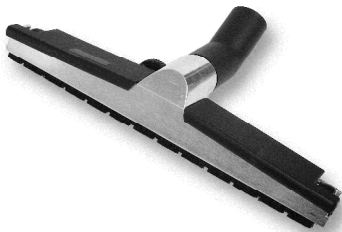


for the cleaning in heights, e.g. supply tubes





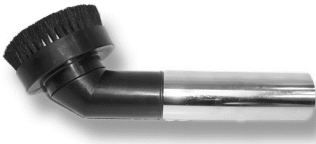
consisting of 4 hand tubes Ø40mm, each 500mm long (052-1100 including connector from Ø40 to Ø50mm), curved tubular nozzles 100 mm and 200 mm, as well as a wall- and floor nozzle

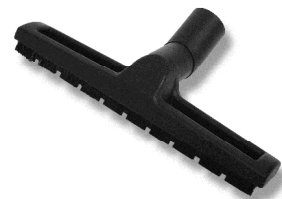


- Ø 40 mm      **052-1090**
- Ø 50 mm      **052-1100**

Accessories	
	<p><b>Ex</b> Curved tube, chrome-plated</p> <p>Ø 36 mm = <b>052-0014</b>            Ø 40 mm = <b>052-0111</b>            Ø 50 mm = <b>052-0209</b></p>
	<p><b>Ex</b> Hand tube, chrome plated</p> <p>Ø 36 x 500 mm = <b>052-0012</b>            Ø 40 x 500 mm = <b>052-0112</b>            Ø 50 x 500 mm = <b>052-0208</b></p>
	<p><b>Floor nozzle with brush strip and lateral rollers</b></p> <p>Ø 40 x 400 mm = <b>052-0116</b>            Ø 50 x 400 mm = <b>052-0210</b></p> <p>Brush strip for replacement = <b>052-0026</b></p>
	<p><b>Floor nozzle with rubber strip and lateral rollers</b></p> <p>Ø 40 x 400 mm = <b>052-0117</b>            Ø 50 x 400 mm = <b>052-0211</b></p> <p>Rubber strip for replacement = <b>052-0027</b></p>

Accessories	
	<p><b>Floor nozzle with carpet strip and lateral rollers</b></p> <p>Ø 40 x 400 mm = <b>052-0118</b></p> <p>Rubber strip for replacement = <b>052-0030</b></p>
	<p><b>Ex</b> Robust Alu-floor nozzle with rollers and brush strip</p> <p>Ø 40 x 370 mm = <b>052-0120</b>            Ø 40 x 450 mm = <b>052-0121</b>            Ø 50 x 370 mm = <b>052-0213</b>            Ø 50 x 450 mm = <b>052-0214</b>            Ø 50 x 500 mm = <b>052-0215</b></p> <p><b>with rollers and rubber strip</b></p> <p>Ø 40 x 370 mm = <b>052-0192</b>            Ø 40 x 450 mm = <b>052-0193</b>            Ø 50 x 370 mm = <b>052-0276</b>            Ø 50 x 450 mm = <b>052-0277</b></p>
	<p><b>Brush strip for replacement</b></p> <p>Length 370 mm = <b>052-0173</b>            Length 450 mm = <b>052-0171</b>            Length 500 mm = <b>052-0264</b></p>
	<p><b>Rubber strip for replacement, oil resistant</b></p> <p>Length 370 mm = <b>052-0194</b>            Length 450 mm = <b>052-0195</b>            Length 500 mm = <b>052-0280</b></p>

 - Accessories	
	<p><b>Flat rubber nozzle with connecting tube</b> antistatic (Without extension tube can also be attached to hand pipe)</p> <p>Ø 40 mm = <b>052-0126</b> Ø 50 mm = <b>052-0223</b> Ø 70 mm = <b>052-0304</b></p>
	<p><b>Pointed rubber nozzle with connecting tube</b> antistatic (Without extension tube can also be attached to hand pipe)</p> <p>Ø 40 mm = <b>052-0124</b> Ø 50 mm = <b>052-0221</b></p>
	<p><b>Inclined tube rubber nozzle</b> antistatic (Without extension tube can also be attached to hand pipe)</p> <p>Ø 40 mm = <b>052-0125</b> Ø 50 mm = <b>052-0222</b> Ø 70 mm = <b>052-0303</b></p>
	<p><b>Solid PP round brush</b> Rubber with connection tube, broad brush head with brass components, antistatic</p> <p>Ø 40 mm = <b>052-0103</b> Ø 50 mm = <b>052-0205</b></p>

Accessories	
	<p><b>Hand tube set for cleaning at altitude</b></p> <p>Ø 40 x 2000 mm = <b>052-0113</b> Ø 50 x 2000 mm = <b>052-0216</b></p>
	<p><b>Curved tubular nozzle</b> Also usable for cleaning at altitude Ø 40 mm</p> <p>Curve width 100 mm = <b>052-0122</b> Curve width 200 mm = <b>052-0123</b></p>
	<p><b>Wall-and floor nozzle with brush strips</b></p> <p>Ø 40 x 300 mm = <b>052-0114</b></p>
	<p><b>Wall-and floor nozzle with rubber strips</b></p> <p>Ø 40 x 300 mm = <b>052-0115</b></p>







<b>Disposal</b>									
<b>Dirt container from stainless steel</b> High quality stainless steel 1.4301 for sturdy usage and suitable for hygienic sensitive areas with comfortable lowering for easy disposal of the absorbed matter									
dirt container <b>35 liter</b>	■						■		
dirt container <b>60 liter</b>		■	■	■					
dirt container <b>100 liter</b>					■	■		■	■
<b>Longopac- disposal system</b> "Endless"-plastic disposal bag for contamination free and easy disposal of the absorbed matter			□	□	□		■/□	■/□	■/□
<b>Automatic fill level control</b> rotating paddle sensor monitors the filling level of the dry dust in the dirt container	□	□	□	□	□	□	□	□	□
<b>Accessory included in delivery</b>									
<b>Suction hose</b> sturdy and flexilbe quality for mobile working									
- 3,5 m, Ø 50 mm	■	■	■	■		■	■	■	■
- 5 m, Ø 50 mm					■/□				
<b>Crevice nozzle</b> for various suction tasks									
- Ø 50 mm	■	■	■	■	■/□	■	■	■	■



**EVOTEC**

### Your advantages:

- Top quality – professional manufacturing
- Heavy duty and long-living materials
- Convincing functionality and ergonomics
- Unexpected new solutions
- Flexible and economical in use
- Reliability from more than 30 years
- High aspiration in design and operator convenience

