

Dry vacuum cleaner – 230 Volt



- Optimum filter technology for secured suction
- Strong suction performance
- Comfortable lowering of the dirt container
- Usage of two hoses possible with Y-Allocator
- All parts coming in contact with the product are made from stainless steel (1.4301)

EVOTEC

EP 1136

3.600 watt
230 volt
210 mbar
490 m³/h
60 Liter Container

Available in versions:



Video on
You Tube

High performance industrial vacuum cleaner for sucking up all dry dust particles – from coarse dirt to fine dust (µm)

High quality standards – well constructed bypass aggregates, silenced turbo.

Sturdy, smooth running chassis for high mobility. Compact modular structure with high-quality stainless steel dirt container (**V2A**).

Cyclone separator for better pre-separating of fine dust particle and coarse matter.

1st level filter:

Dust class M
Durable polyester needle-felt filter with **PUR-membrane**, high filter effect for long durability.

2nd level filter:

Dust class H
“Absolut”-cartridge filter (**H14**).

Effective, easy to use **filter cleaning** for high filter effect and long operating intervals without interruption.

Vacuum gauge for filter monitoring.

Patented, tool less filter change – easy and safe for staff and maintenance.

Fast coupling with locking mechanism and rotating device for a secure connection of the suction hose.

Length of the connection cable: 8 m

Included in delivery:

3,5 m suction hose Ø 40 mm and crevice nozzle.



Type		EP 1136
Voltage	volt	230
Power output	watt	3.600
Max. airflow rate	m³/h	490
Max. negative pressure	mbar	210
Filter surface „M“ Filter surface „H“	m² m²	2,2 + 2,0
Dirt container	l	60
Type of protection		IP 33
Noise level	dB(A)	78
Suction connection	Ø mm	80
Dimension	cm	86 x 68 x 138
Weight	kg	75
Dust class M	Art.-No.	151-1080
Dust class H	Art.-No.	151-1081



Explanation Details



EP 1136



Disposal options



Plastic disposal bag, antistatic ESD

Packing unit = 10 pcs



For dust-free disposal of dust particles (dust classes M and H)
Highly stable and „nail tested“
Perfect fit due to round bottom – no bypass necessary.

Suitable for:

25/35-l-container = **235-1011**
60-l-container = **235-1021**
100-l-container = **235-1031**



Bypass for standard disposal bags

Due to vacuum compensation, it allows the usage of standard disposal bags.

Consists of connection hose from dirt container to filter compartment, including Kamlock-connection for easy decoupling and re-coupling.

053-3030

Options



Spark trap with metal knit insert

prevents the suction of sparks into the system.
Different diameters for integration in pipe system or suction hose

Ø 80 mm **072-0628**
Ø 100 mm **072-0629**
Ø 150 mm **072-0630**



Hose bracket

Optimal for the storage of long hoses.

Suitable for all models with 60 liter dirt container (EP1136, EP2122 ECO, EP2130 ECO, EP 2122, EP 2130, EP 2140 ECO, EP 2155 ECO)

Suitable for up to 10 m hose
053-3070



Nozzle for large floor areas



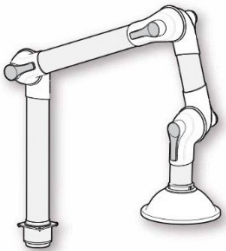
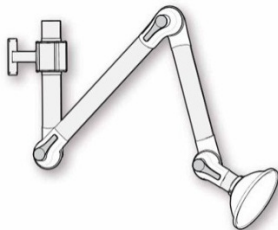
To clean wide floor areas
Easy self-assembly, incl. connection hose



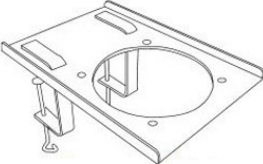
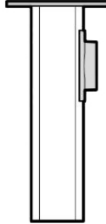
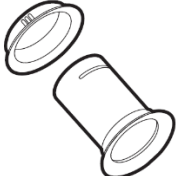
Suitable for:

EP 1136, EP 2122 ECO, EP 2130 ECO
Width 700 mm
053-1020

Pocket filter	
	<p>Dust class M Polyester-needle felt with PUR-Membrane (installed by default) Non-stick properties – for sticky or adhesive dusts Also for the suction of fine dust with abrasive nature (e.g. fiber glass)</p> <p>1,75 m², Ø 400 mm = 054-20085B 2,20 m², Ø 500 mm (fig) = 054-20086B 3,20 m², Ø 500 mm = 054-20087B 5,20 m², Ø 500 mm = 054-20088</p>
	<p>Dust class M Robust polyester-needle felt with PTFE-Membrane Non-stick properties – for sticky or adhesive dusts</p> <p>Heat-resistant Temporary (30 min.) up to 200 °C Continuous up to 150 °C</p> <p style="text-align: right;">Video on YouTube</p> <p>1,75 m², Ø 400 mm = 054-20115 2,20 m², Ø 500 mm = 054-20116 3,20 m², Ø 500 mm (fig) = 054-20117 5,20 m², Ø 500 mm = 054-20118</p>
	<p>Dust class M Polyester-needle felt with antistatic PUR-Membrane</p> <p>Antistatic – for the suction of dust that can accumulate static charge</p> <p>Food-safe – for the application in sensitive areas such as pharmaceutical or food production</p> <p>1,75 m², Ø 400 mm = 054-20127 2,20 m², Ø 500 mm (fig) = 054-20128 3,20 m², Ø 500 mm = 054-20129 5,20 m², Ø 500 mm = 054-20130</p>

	<p>Dust Class H (H14)</p> <p>Absolute cartridge filter for all types of EVOTEC Double-sided support grid, to buy for replacement:</p> <p>1,7 m², Ø 400 mm = 054-20018 2,0 m², Ø 500 mm = 054-20027 4,3 m², Ø 500 mm = 054-20033</p>
<p>without picture</p>	<p>Electromechanical filter-cleaning Automatic filter-cleaning after switching off the vacuum cleaner. The pockets or folds are set in vibration with a shaker motor and the dust is shaken off</p> <p>universal 053-3027</p>

Suction arms 	
	<p>The suction arm allows the punctual suction directly at the point of origin. Due to the self-supporting construction simple to handle and easy to position. Antistatic design and therefore usable for the use in ESD-areas (grounded with a resistance of 1MΩ).</p> <p>Size Ø 50 mm – ideal up to 3 kW Optimal for small coverage areas, e.g. in electronic industries, laboratories, dentistry, laser technologies, nail spa, gold smith etc.</p> <p>Size Ø 75 mm – ideal from 3 kW Usable in many different sectors, e.g. laboratories, laser technology, chemical and pharmaceutic industry, food industry, schools, universities or machine industry.</p>
	<p>Suction arm ESD, for table mounting Inclusive holder for table duct.</p> <p>Ø 50 mm Reach 1.300 mm 072-0400 Reach 1.500 mm 072-0401</p> <p>Ø 75 mm Reach 1.300 mm 072-0402 Reach 1.500 mm 072-0403</p>
	<p>Suction arm ESD, for ceilings and wall mounting Including wall / ceiling bracket</p> <p>Ø 50 mm Reach 1.300 mm 072-0404 Reach 1.500 mm 072-0405</p> <p>Ø 75 mm Reach 1.300 mm 072-0406 Reach 1.500 mm 072-0407</p>

Suction arms and options 	
	<p>Universal console</p> <p>Bracket / console for the extraction arm of EVOTEC industrial vacuum cleaners.</p> <p>Ø 50 mm 053-3051 Ø 75 mm 053-3061</p>
	<p>Flexible table console ESD</p> <p>Holder/Console for mounting the arm on a (table-)plate, universal for</p> <p>Ø 50 mm / Ø 75 mm 072-0428</p>
	<p>Ceiling console ESD</p> <p>Universal holder/console for arm Ø 50 mm and Ø 75 mm, diverse lengths:</p> <p>Length 250 mm 072-0418 Length 500 mm 072-0419 Length 750 mm 072-0420 Length 1000 mm 072-0421</p> <p>Further lengths on request</p>
	<p>Straight hood tube ESD</p> <p>Spare part for hood, also usable as straight inlet nozzle.</p> <p>Ø 50 mm 072-0429 Ø 75 mm 072-0430</p>

(All Ø specifications refer to the inner hose diameter)

PP- hose and - components

Made of polypropylene (PP), antistatic, with suitable fittings.
Well suitable for the industrial usage.



PP-suction hose antistatic, complete with fittings

Length 3,5 m Ø 40 mm = **052-0151**
Length 3,5 m Ø 50 mm = **052-0248**
Length 5 m Ø 40 mm = **052-0152**
Length 5 m Ø 50 mm = **052-0249**



Linear meters (for extension or self-manufacturing)

Ø 40 mm = **052-0130**
Ø 50 mm = **052-0230**



Fitting (suction side) for PP-hose antistatic

Ø 40 mm = **052-0140**
Ø 50 mm = **052-0240**



Fitting (vessel side) for PP-hose antistatic incl. retaining ring

Ø 80 - 40 mm = **052-0159**
Ø 80 - 50 mm = **052-0256**
only ECODust/Compact
Ø 60 - 40 mm **052-0145**
Ø 60 - 50 mm **052-0244**

Superflex-hose and - components

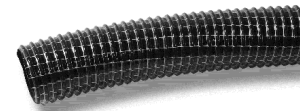
Made of polypropylene (PP), thread-strengthened and spiral-protected. Extra light and flexible also for longer distances. Well-suitable for industrial usage.

Discharging = when spiral is grounded



Superflex-suction hose, electrically conductive, complete with fittings

Length 3,5 m Ø 40 mm = **052-0153**
Length 3,5 m Ø 50 mm = **052-0250**
Length 5 m Ø 40 mm = **052-0154**
Length 5 m Ø 50 mm = **052-0251**



Linear meters (for extension or self-manufacturing)

Ø 40 mm = **052-0133**
Ø 50 mm = **052-0136**
Ø 60 mm = **054-90037**



Fitting (suction side) for Superflex-hose antistatic

Ø 40 mm = **052-0139**
Ø 50 mm = **052-0239**



Fitting (vessel side) for Superflex-hose antistatic, incl. retaining ring


Ø 80 - 40 mm = **052-0158**
Ø 80 - 50 mm = **052-0255**
only ECODust/Compact
Ø 60 - 40 mm **052-0144**
Ø 60 - 50 mm **052-0243**

(All Ø specifications refer to the inner hose diameter)

PUR-hose and - components

Made of polyurethane (PUR). Enhanced by integrated steel spiral. Oil-resistant, sturdy and suitable for abrasive dusts. Heat proof up to 125°C. Well-suited for extreme industrial usage.

Discharging = when spiral is grounded

	<p>PUR-suction hose, electrically conductive, complete with fittings</p> <p>Length 3,5 m Ø 40 mm = 052-0155 Length 3,5 m Ø 50 mm = 052-0252 Length 5 m Ø 40 mm = 052-0156 Length 5 m Ø 50 mm = 052-0253</p>
	<p>Linear meters (for extension or self-manufacturing)</p> <p>Discharging when spiral is grounded</p> <p>Ø 40 mm = 052-0136 Ø 50 mm = 052-0236 Ø 70 mm = 052-0309</p> <p>Reinforced version:</p> <p>Ø 40 mm = 052-0157 Ø 50 mm = 052-0254 Ø 70 mm = 052-0310</p>
	<p>Fitting (suction side) for PUR-hose antistatic</p> <p>Ø 40 mm = 052-0141 Ø 50 mm = 052-0241 Ø 70 mm = 052-0311</p>
	<p>Fitting (boiler side) for PUR-hose antistatic incl. Retaining ring</p> <p>Ø 80 - 40 mm = 052-0160 Ø 80 - 50 mm = 052-0257</p> <p>only ECODust/Compact</p> <p>Ø 60 - 40 mm = 052-0146 Ø 60 - 50 mm = 052-0245</p>

ESD-hose and - components

Hose material: polyurethane (PUR) or polypropylene (Superflex). Both spiral-supported, Superflex additionally reinforced with thread. Ideally suited material for industrial use in potentially explosive atmospheres.

Completely electrically conductive 10³ to 10⁴ Ω

	<p>ESD-Superflex-suction hose Completely electrically conductive 10⁴ Ω</p> <p>Ø 40 mm = 052-0200 Ø 50 mm = 052-0287</p>
	<p>ESD-PUR-suction hose Completely electrically conductive 10³ Ω</p> <p>Ø 40 mm = 052-0196 Ø 50 mm = 052-0281</p>
	<p>Fitting (suction side)</p> <p>for ESD-Superflex-suction antistatic</p> <p>Ø 40 mm = 052-0139 Ø 50 mm = 052-0239</p> <p>for ESD-PUR-suction antistatic</p> <p>Ø 40 mm = 052-0141 Ø 50 mm = 052-0241</p>
	<p>Fitting (boiler side) for ESD-Superflex-suction hose antistatic incl. Retaining ring</p> <p>Ø 80 - 40 mm = 052-0158 Ø 80 - 50 mm = 052-0255</p> <p>for ESD-PUR-suction hose antistatic</p> <p>Ø 80 - 40 mm = 052-0160 Ø 80 - 50 mm = 052-0257</p>

Practical accessory sets

Machine cleaning kit

optimized for the cleaning of production machines, complete antistatic

Consisting of bulk suction nozzle, inclined tube rubber nozzle and pointed rubber nozzle



Ø 40 mm **052-1081**
 Ø 50 mm **052-1071**

Industrial floor cleaning kit

for the cleaning of all floors, complete antistatic



Consisting of multi-part hand tube, metal revolving nozzle with brush strip and replacement rubber strips

Ø 40 mm, width 370 mm **052-1031**
 Ø 40 mm, width 450 mm **052-1036**
 Ø 50 mm, width 370 mm **052-1041**
 Ø 50 mm, width 450 mm **052-1051**
 Ø 50 mm, width 500 mm **052-1061**



YouTube

Set for cleaning at altitude


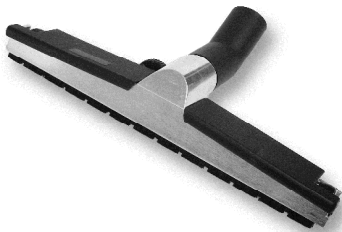


for the cleaning in heights, e.g. supply tubes





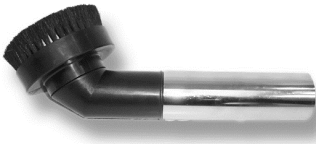
consisting of 4 hand tubes Ø40mm, each 500mm long (052-1100 including connector from Ø40 to Ø50mm), curved tubular nozzles 100 mm and 200 mm, as well as a wall- and floor nozzle



Ø 40 mm **052-1090**
 Ø 50 mm **052-1100**

Accessories	
	<p>Ex Curved tube, chrome-plated</p> <p>Ø 36 mm = 052-0014 Ø 40 mm = 052-0111 Ø 50 mm = 052-0209</p>
	<p>Ex Hand tube, chrome plated</p> <p>Ø 36 x 500 mm = 052-0012 Ø 40 x 500 mm = 052-0112 Ø 50 x 500 mm = 052-0208</p>
	<p>Floor nozzle with brush strip and lateral rollers</p> <p>Ø 40 x 400 mm = 052-0116 Ø 50 x 400 mm = 052-0210</p> <p>Brush strip for replacement = 052-0026</p>
	<p>Floor nozzle with rubber strip and lateral rollers</p> <p>Ø 40 x 400 mm = 052-0117 Ø 50 x 400 mm = 052-0211</p> <p>Rubber strip for replacement = 052-0027</p>

Accessories	
	<p>Floor nozzle with carpet strip and lateral rollers</p> <p>Ø 40 x 400 mm = 052-0118</p> <p>Rubber strip for replacement = 052-0030</p>
	<p>Ex Robust Alu-floor nozzle with rollers and brush strip</p> <p>Ø 40 x 370 mm = 052-0120 Ø 40 x 450 mm = 052-0121 Ø 50 x 370 mm = 052-0213 Ø 50 x 450 mm = 052-0214 Ø 50 x 500 mm = 052-0215</p> <p>with rollers and rubber strip</p> <p>Ø 40 x 370 mm = 052-0192 Ø 40 x 450 mm = 052-0193 Ø 50 x 370 mm = 052-0276 Ø 50 x 450 mm = 052-0277</p>
	<p>Brush strip for replacement</p> <p>Length 370 mm = 052-0173 Length 450 mm = 052-0171 Length 500 mm = 052-0264</p>
	<p>Rubber strip for replacement, oil resistant</p> <p>Length 370 mm = 052-0194 Length 450 mm = 052-0195 Length 500 mm = 052-0280</p>

 - Accessories	
	<p>Flat rubber nozzle with connecting tube antistatic (Without extension tube can also be attached to hand pipe)</p> <p>Ø 40 mm = 052-0126 Ø 50 mm = 052-0223 Ø 70 mm = 052-0304</p>
	<p>Pointed rubber nozzle with connecting tube antistatic (Without extension tube can also be attached to hand pipe)</p> <p>Ø 40 mm = 052-0124 Ø 50 mm = 052-0221</p>
	<p>Inclined tube rubber nozzle antistatic (Without extension tube can also be attached to hand pipe)</p> <p>Ø 40 mm = 052-0125 Ø 50 mm = 052-0222 Ø 70 mm = 052-0303</p>
	<p>Solid PP round brush Rubber with connection tube, broad brush head with brass components, antistatic</p> <p>Ø 40 mm = 052-0103 Ø 50 mm = 052-0205</p>

Accessories	
	<p>Hand tube set for cleaning at altitude</p> <p>Ø 40 x 2000 mm = 052-0113 Ø 50 x 2000 mm = 052-0216</p>
	<p>Curved tubular nozzle Also usable for cleaning at altitude Ø 40 mm</p> <p>Curve width 100 mm = 052-0122 Curve width 200 mm = 052-0123</p>
	<p>Wall-and floor nozzle with brush strips</p> <p>Ø 40 x 300 mm = 052-0114</p>
	<p>Wall-and floor nozzle with rubber strips</p> <p>Ø 40 x 300 mm = 052-0115</p>

Performance description 2018 EVOTEC Industrial vacuum cleaner 230 V	ECODust 1200 1400	ECODust 1500	ECODust Maxi 15	EP 1122 EP 1122-LP	EP 1115	EP 1136	ROBUSTO 1122 1122-LP
■ = included in delivery □ = optional							
Drive engineering							
Maintenance-free side channel blower Turbine for long-term runs without interruption		■	■		■		
Bypass-motors (alternating current) under separate cooling, individual switching	■			■		■	■
Vacuum relief valve protects the turbine from overheating - for long term runs		■	■		■		□
Exhaust air sound reduction for a minimum of noise emission at work places	■	■	■	■	■	■	■
Remote ON/OFF by cable or radio control	□	□	□	□	□	□	□
Stepless performance regulation performance of the turbine can be regulated stepless and economical by a frequency converter					□		
Filter technology							
1st level filter = dust class M sturdy pocket filter with high quality PUR-coating for long-term runs							
Filter surface 1,0 m²	■	■					
Filter surface 1,2 m²							
Filter surface 1,75 m²			■	■	■		■
Filter surface 2,0 m²						■	
Filter surface 3,2 m²						□	
2nd level filter = dust class H high performance absolute cartridge filter made from fiberglass material class H14, for highest exhaust air monitoring							
- filter surface 1,7 m²	■/□	■/□	■/□	■/□	■/□		□
- filter surface 2,0 m²						■/□	
- filter surface 4,3 m²							
EX-proof zone 22 (Type22) permanent discharge capability for the secure suction of explosive dusts		■/□	■/□		■/□		□
Filter change free of contamination patented solution for an easy filter change without hazards for the user	■	■	■	■	■	■	■
Filter control display vacuum pressure gauge indicates the need of filter cleaning	■	■	■	■	■	■	■

Cyclone separator Centrifugal separator behind the vessel entry for pre-separation of suction material and liquids	■	■	■	■	■	■	■
Several filter cleaning methods							
- by hand (Standard)	■	■	■	■	■	■	■
- atmospheric pulse cleaning					□		
- electric filter shaker		□	□	□	□	□	□
Activated carbon filter eliminates smell and toxic steam					□		
Chassis							
Mobile chassis/trolley sturdy, CNC-formed steel, powder coated	■	■	■	■	■	■	■
Stair climbing	■	■	■	■			
High quality castors/wheels with roller bearing and fixing brake for the optimal mobility	■	■	■	■	■	■	■
Ergonomic pushing handle with soft-coating as insulation protection	■	■	■	■	■	■	■
Tension ring system for a constant tight connection between container and cover	■	■	■	■	■	■	■
Filter chamber from stainless steel							
connection nozzle with fast coupling for easy and secure connection of the suction hose							
- Ø 60 mm vessel entry	■	■	■				
- Ø 80 mm vessel entry				■	■	■	■
Closing plug avoids the escape of harmful dusts when no hose is connected	■	■	■	■	■	■	■
Accessory basket for the secure storage of accessory	■	■	■	■	□	■	■
Hand tube holder to store the hand tube					■	■	
Long connection cable 8m for a large radius	■	■	■	■	■	■	■
Storage for the connection cable hook for the secure storage of the connection cable					■	■	

Disposal							
Dirt container from stainless steel High quality stainless steel 1.4301 for sturdy usage and suitable for hygienic sensitive areas with comfortable lowering for easy disposal of the absorbed matter							
dirt container 25 liter	■	■					
dirt container 35 liter			■	■	■		■
dirt container 60 liter						■	
Longopac- disposal system "Endless"-plastic disposal bag for contamination free and easy disposal of the absorbed matter				■/□			■/□
Automatic fill level control rotating paddle sensor monitors the filling level of the dry dust in the dirt container							
Accessory included in delivery							
Suction hose sturdy and flexible quality for mobile working							
- 3,5 m, Ø 40 mm	■	■	■	■	■		
- 3,5 m, Ø 50 mm						■	■
Crevice nozzle for various suction tasks							
- Ø 40 mm	■	■	■	■	■		
- Ø 50 mm						■	■



EVOTEC

Your advantages:

- Top quality – professional manufacturing
- Heavy duty and long-living materials
- Convincing functionality and ergonomics
- Unexpected new solutions
- Flexible and economical in use
- Reliability from more than 30 years
- High aspiration in design and operator convenience

