

## Dry vacuum cleaner – 230 Volt



- Side channel blower for **permanent operation** and EX-protection Type22
- Compact construction
- Large fixed castors for stage climbing
- Comfortable lowering of the dirt container

# EVOTEC

### ECODust Maxi 15

1.500 watt  
230 volt  
200 mbar  
220 m<sup>3</sup>/h  
35 liter container

Available in versions:



**High performance industrial vacuum cleaner for sucking up all dry dust particles – from coarse dirt to fine dust (µm)**

Well-designed, silenced and maintenance-free turbine (side channel blower) as vacuum generator. Suitable for **three-shift-operation**.

Sturdy, smooth-running chassis for high mobility. Compact, modular structure with high-quality stainless steel dirt container (**V2A**).

**Cyclone separator** for better pre-separation of fine dust particles and coarse matter.

**1<sup>st</sup> level filter:**

**Dust class M**

Durable polyester needle-felt filter with **PUR-membrane**, high filter effect for long durability.

**Included in delivery:**

3,5 m suction hose Ø 40 mm and crevice nozzle.

**2<sup>nd</sup> level filter:**

**Dust class H**

“Absolut”-cartridge filter (**H14**).



Effective, easy to use **filter cleaning** for high filter effect and long operating intervals without interruption.

**Vacuum gauge** for filter monitoring.

**Patented, tool less filter change** – easy and safe for staff and maintenance.

Fast coupling with locking mechanism and rotating device for a secure connection of the suction hose.

Length of the connection cable: 8 m

Type		ECODust Maxi 15
Voltage	volt	230
Power output	watt	1.500
Max. airflow rate	m <sup>3</sup> /h	220
Max. negative pressure	mbar	200 / 240 max.
Filter surface „M“ Filter surface „H“	m <sup>2</sup> m <sup>2</sup>	1,75 + 1,7
Dirt container	l	35
Type of protection		IP55
Noise level	dB(A)	72
Suction connection	Ø mm	80
Dimension	cm	71 x 58 x 160
Weight	kg	40
Dust class <b>M</b>	<b>Art.-No.</b>	<b>151-1070</b>
Dust class <b>M/Type22</b> 	<b>Art.-No.</b>	<b>151-1071</b>
Dust class <b>H</b>	<b>Art.-No.</b>	<b>151-1072</b>
Dust class <b>H/Type22</b> 	<b>Art.-No.</b>	<b>151-1073</b>



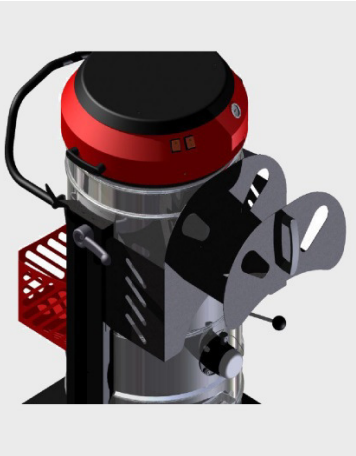


# Explanation Details



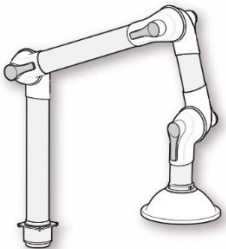
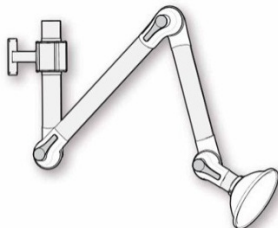




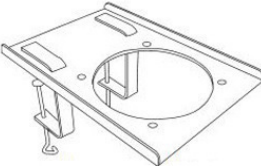
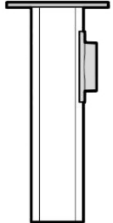
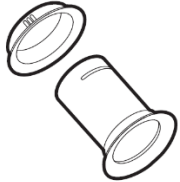
## ECODust 1500



	<p><b>Plastic disposal bag, antistatic ESD</b> Packing unit = 10 pcs </p> <p>For dust-free disposal of dust particles (dust classes M and H) Highly stable and „nail tested“ Perfect fit due to round bottom – no bypass necessary.</p> <p>25/35-l-container = <b>235-1011</b></p>
	<p><b>Hose bracket</b></p> <p>Optimal for the storage of long hoses.</p> <p><b>Suitable for up to 10 m hose</b> <b>053-3070</b></p>

	<p><b>Upgrade to dust class H</b> Absolute cartridge filter for all types of EVOTEC Double-sided support grid,</p> <p>1,7 m<sup>2</sup>, Ø 400 mm = <b>054-20018</b></p>
	<p><b>For ECODust-Models:</b> <b>Dust class M</b> Polyester-needle felt with <b>PUR-Membrane</b> (installed by default)</p> <p><b>Non-stick properties</b> - for sticky or adhesive dusts Also for the suction of fine dust with abrasive nature (e.g. fiberglass)</p> <p>1,0 m<sup>2</sup>, Ø 400 mm = <b>054-20156</b></p>
	<p><b>Spark trap with metal knit insert</b> prevents the suction of sparks into the system. Different diameters for integration in pipe system or suction hose</p> <p>Ø 80 mm <b>072-0628</b> Ø 100 mm <b>072-0629</b> Ø 150 mm <b>072-0630</b></p>

Suction arms 	
	<p>The suction arm allows the <b>punctual</b> suction directly at the point of origin. Due to the <b>self-supporting construction</b> simple to handle and easy to position. Antistatic design and therefore usable for the <b>use in ESD-areas</b> (grounded with a resistance of 1MΩ).</p> <p><b>Size Ø 50 mm – ideal up to 3 kW</b> Optimal for small coverage areas, e.g. in electronic industries, laboratories, dentistry, laser technologies, nail spa, gold smith etc.</p> <p><b>Size Ø 75 mm – ideal from 3 kW</b> Usable in many different sectors, e.g. laboratories, laser technology, chemical and pharmaceutical industry, food industry, schools, universities or machine industry.</p>
	<p><b>Suction arm ESD, for table mounting</b> Inclusive holder for table duct.</p> <p>Ø 50 mm Reach 1.300 mm <b>072-0400</b> Reach 1.500 mm <b>072-0401</b></p> <p>Ø 75 mm Reach 1.300 mm <b>072-0402</b> Reach 1.500 mm <b>072-0403</b></p>
	<p><b>Suction arm ESD, for ceilings and wall mounting</b> Including wall / ceiling bracket</p> <p>Ø 50 mm Reach 1.300 mm <b>072-0404</b> Reach 1.500 mm <b>072-0405</b></p> <p>Ø 75 mm Reach 1.300 mm <b>072-0406</b> Reach 1.500 mm <b>072-0407</b></p>

Suction arms and options 	
	<p><b>Universal console</b></p> <p>Bracket / console for the extraction arm of EVOTEC industrial vacuum cleaners.</p> <p>Ø 50 mm <b>053-3051</b> Ø 75 mm <b>053-3061</b></p>
	<p><b>Flexible table console ESD</b></p> <p>Holder/Console for mounting the arm on a (table-)plate, universal for</p> <p>Ø 50 mm / Ø 75 mm <b>072-0428</b></p>
	<p><b>Ceiling console ESD</b></p> <p>Universal holder/console for arm Ø 50 mm and Ø 75 mm, diverse lengths:</p> <p>Length 250 mm <b>072-0418</b> Length 500 mm <b>072-0419</b> Length 750 mm <b>072-0420</b> Length 1000 mm <b>072-0421</b></p> <p>Further lengths on request</p>
	<p><b>Straight hood tube ESD</b></p> <p>Spare part for hood, also usable as straight inlet nozzle.</p> <p>Ø 50 mm <b>072-0429</b> Ø 75 mm <b>072-0430</b></p>





## Practical accessory sets

### Machine cleaning kit

optimized for the cleaning of production machines, complete antistatic

Consisting of bulk suction nozzle, inclined tube rubber nozzle and pointed rubber nozzle



Ø 40 mm     **052-1081**  
 Ø 50 mm     **052-1071**

### Industrial floor cleaning kit

for the cleaning of all floors, complete antistatic



Consisting of multi-part hand tube, metal revolving nozzle with brush strip and replacement rubber strips

Ø 40 mm, width 370 mm     **052-1031**  
 Ø 40 mm, width 450 mm     **052-1036**  
 Ø 50 mm, width 370 mm     **052-1041**  
 Ø 50 mm, width 450 mm     **052-1051**  
 Ø 50 mm, width 500 mm     **052-1061**



YouTube

### Set for cleaning at altitude


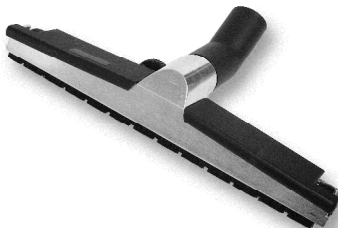


for the cleaning in heights, e.g. supply tubes

consisting of 4 hand tubes Ø40mm, each 500mm long (052-1100 including connector from Ø40 to Ø50mm), curved tubular nozzles 100 mm and 200 mm, as well as a wall- and floor nozzle



Ø 40 mm     **052-1090**  
 Ø 50 mm     **052-1100**

Accessories	
	<p><b>Ex</b> Curved tube, chrome-plated</p> <p>Ø 36 mm = <b>052-0014</b>            Ø 40 mm = <b>052-0111</b>            Ø 50 mm = <b>052-0209</b></p>
	<p><b>Ex</b> Hand tube, chrome plated</p> <p>Ø 36 x 500 mm = <b>052-0012</b>            Ø 40 x 500 mm = <b>052-0112</b>            Ø 50 x 500 mm = <b>052-0208</b></p>
	<p><b>Floor nozzle with brush strip and lateral rollers</b></p> <p>Ø 40 x 400 mm = <b>052-0116</b>            Ø 50 x 400 mm = <b>052-0210</b></p> <p>Brush strip for replacement = <b>052-0026</b></p>
	<p><b>Floor nozzle with rubber strip and lateral rollers</b></p> <p>Ø 40 x 400 mm = <b>052-0117</b>            Ø 50 x 400 mm = <b>052-0211</b></p> <p>Rubber strip for replacement = <b>052-0027</b></p>

Accessories	
	<p><b>Floor nozzle with carpet strip and lateral rollers</b></p> <p>Ø 40 x 400 mm = <b>052-0118</b></p> <p>Rubber strip for replacement = <b>052-0030</b></p>
	<p><b>Ex</b> Robust Alu-floor nozzle with rollers and brush strip</p> <p>Ø 40 x 370 mm = <b>052-0120</b>            Ø 40 x 450 mm = <b>052-0121</b>            Ø 50 x 370 mm = <b>052-0213</b>            Ø 50 x 450 mm = <b>052-0214</b>            Ø 50 x 500 mm = <b>052-0215</b></p> <p><b>with rollers and rubber strip</b></p> <p>Ø 40 x 370 mm = <b>052-0192</b>            Ø 40 x 450 mm = <b>052-0193</b>            Ø 50 x 370 mm = <b>052-0276</b>            Ø 50 x 450 mm = <b>052-0277</b></p>
	<p><b>Brush strip for replacement</b></p> <p>Length 370 mm = <b>052-0173</b>            Length 450 mm = <b>052-0171</b>            Length 500 mm = <b>052-0264</b></p>
	<p><b>Rubber strip for replacement, oil resistant</b></p> <p>Length 370 mm = <b>052-0194</b>            Length 450 mm = <b>052-0195</b>            Length 500 mm = <b>052-0280</b></p>



(All Ø specifications refer to the inner hose diameter)

## PP- hose and - components

Made of polypropylene (PP), antistatic, with suitable fittings.  
Well suitable for the industrial usage.



### PP-suction hose antistatic, complete with fittings

Length 3,5 m Ø 40 mm = **052-0151**  
Length 3,5 m Ø 50 mm = **052-0248**  
Length 5 m Ø 40 mm = **052-0152**  
Length 5 m Ø 50 mm = **052-0249**



### Linear meters (for extension or self-manufacturing)

Ø 40 mm = **052-0130**  
Ø 50 mm = **052-0230**



### Fitting (suction side) for PP-hose antistatic

Ø 40 mm = **052-0140**  
Ø 50 mm = **052-0240**



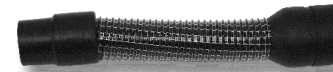
### Fitting (vessel side) for PP-hose antistatic incl. retaining ring

Ø 80 - 40 mm = **052-0159**  
Ø 80 - 50 mm = **052-0256**  
only ECODust/Compact  
Ø 60 - 40 mm **052-0145**  
Ø 60 - 50 mm **052-0244**

## Superflex-hose and - components

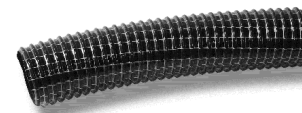
Made of polypropylene (PP), thread-strengthened and spiral-protected. Extra light and flexible also for longer distances. Well-suitable for industrial usage.

Discharging = when spiral is grounded



### Superflex-suction hose, electrically conductive, complete with fittings

Length 3,5 m Ø 40 mm = **052-0153**  
Length 3,5 m Ø 50 mm = **052-0250**  
Length 5 m Ø 40 mm = **052-0154**  
Length 5 m Ø 50 mm = **052-0251**



### Linear meters (for extension or self-manufacturing)

Ø 40 mm = **052-0133**  
Ø 50 mm = **052-0136**  
Ø 60 mm = **054-90037**



### Fitting (suction side) for Superflex-hose antistatic

Ø 40 mm = **052-0139**  
Ø 50 mm = **052-0239**



### Fitting (vessel side) for Superflex-hose antistatic, incl. retaining ring

Ø 80 - 40 mm = **052-0158**  
Ø 80 - 50 mm = **052-0255**  
only ECODust/Compact  
Ø 60 - 40 mm **052-0144**  
Ø 60 - 50 mm **052-0243**

(All Ø specifications refer to the inner hose diameter)

## PUR-hose and - components

Made of polyurethane (PUR). Enhanced by integrated steel spiral. Oil-resistant, sturdy and suitable for abrasive dusts. Heat proof up to 125°C. Well-suited for extreme industrial usage.

**Discharging** = when spiral is grounded

	<p><b>PUR-suction hose, electrically conductive, complete with fittings</b></p> <p>Length 3,5 m Ø 40 mm = <b>052-0155</b>                  Length 3,5 m Ø 50 mm = <b>052-0252</b>                  Length 5 m Ø 40 mm = <b>052-0156</b>                  Length 5 m Ø 50 mm = <b>052-0253</b></p>
	<p><b>Linear meters</b> (for extension or self-manufacturing)</p> <p><b>Discharging when spiral is grounded</b></p> <p>Ø 40 mm = <b>052-0136</b>                  Ø 50 mm = <b>052-0236</b>                  Ø 70 mm = <b>052-0309</b></p> <p><b>Reinforced version:</b></p> <p>Ø 40 mm = <b>052-0157</b>                  Ø 50 mm = <b>052-0254</b>                  Ø 70 mm = <b>052-0310</b></p>
	<p><b>Fitting (suction side)</b> for <b>PUR-hose</b> antistatic</p> <p>Ø 40 mm = <b>052-0141</b>                  Ø 50 mm = <b>052-0241</b>                  Ø 70 mm = <b>052-0311</b></p>
	<p><b>Fitting (boiler side)</b> for <b>PUR-hose</b> antistatic incl. Retaining ring</p> <p>Ø 80 - 40 mm = <b>052-0160</b>                  Ø 80 - 50 mm = <b>052-0257</b></p> <p>only ECODust/Compact</p> <p>Ø 60 - 40 mm = <b>052-0146</b>                  Ø 60 - 50 mm = <b>052-0245</b></p>

## ESD-hose and - components

Hose material: polyurethane (PUR) or polypropylene (Superflex). Both spiral-supported, Superflex additionally reinforced with thread. Ideally suited material for industrial use in potentially explosive atmospheres.

**Completely electrically conductive 10<sup>3</sup> to 10<sup>4</sup> Ω**

	<p><b>ESD-Superflex-suction hose</b> Completely electrically conductive 10<sup>4</sup> Ω</p> <p>Ø 40 mm = <b>052-0200</b>                  Ø 50 mm = <b>052-0287</b></p>
	<p><b>ESD-PUR-suction hose</b> Completely electrically conductive 10<sup>3</sup> Ω</p> <p>Ø 40 mm = <b>052-0196</b>                  Ø 50 mm = <b>052-0281</b></p>
	<p><b>Fitting (suction side)</b></p> <p>for <b>ESD-Superflex-suction</b> antistatic</p> <p>Ø 40 mm = <b>052-0139</b>                  Ø 50 mm = <b>052-0239</b></p> <p>for <b>ESD-PUR-suction</b> antistatic</p> <p>Ø 40 mm = <b>052-0141</b>                  Ø 50 mm = <b>052-0241</b></p>
	<p><b>Fitting (boiler side)</b> for <b>ESD-Superflex-suction</b> hose antistatic incl. Retaining ring</p> <p>Ø 80 - 40 mm = <b>052-0158</b>                  Ø 80 - 50 mm = <b>052-0255</b></p> <p>for <b>ESD-PUR-suction</b> hose antistatic</p> <p>Ø 80 - 40 mm = <b>052-0160</b>                  Ø 80 - 50 mm = <b>052-0257</b></p>

Performance description 2018 <b>EVOTEC Industrial vacuum cleaner 230 V</b>	ECODust 1200 1400	ECODust 1500	ECODust Maxi 15	EP 1122 EP 1122-LP	EP 1115	EP 1136	ROBUSTO 1122 1122-LP
■ = included in delivery    □ = optional							
<b>Drive engineering</b>							
<b>Maintenance-free side channel blower</b> <b>Turbine for long-term runs without interruption</b>		■	■		■		
<b>Bypass-motors (alternating current)</b> under separate cooling, individual switching	■			■		■	■
<b>Vacuum relief valve</b> protects the turbine from overheating - for long term runs		■	■		■		□
<b>Exhaust air sound reduction</b> for a minimum of noise emission at work places	■	■	■	■	■	■	■
<b>Remote ON/OFF</b> by cable or radio control	□	□	□	□	□	□	□
<b>Stepless performance regulation</b> performance of the turbine can be regulated stepless and economical by a frequency converter					□		
<b>Filter technology</b>							
<b>1st level filter = dust class M</b> sturdy pocket filter with <b>high quality PUR-coating</b> for long-term runs							
Filter surface <b>1,0 m²</b>	■	■					
Filter surface <b>1,2 m²</b>							
Filter surface <b>1,75 m²</b>			■	■	■		■
Filter surface <b>2,0 m²</b>						■	
Filter surface <b>3,2 m²</b>						□	
<b>2nd level filter = dust class H</b> high performance absolute cartridge filter made from fiberglass material class H14, for highest exhaust air monitoring							
- filter surface <b>1,7 m²</b>	■/□	■/□	■/□	■/□	■/□		□
- filter surface <b>2,0 m²</b>						■/□	
- filter surface <b>4,3 m²</b>							
<b>EX-proof zone 22 (Type22)</b> permanent discharge capability for the secure suction of explosive dusts		■/□	■/□		■/□		□
<b>Filter change free of contamination</b> patented solution for an easy filter change without hazards for the user	■	■	■	■	■	■	■
<b>Filter control display</b> vacuum pressure gauge indicates the need of filter cleaning	■	■	■	■	■	■	■

<b>Cyclone separator</b> Centrifugal separator behind the vessel entry for pre-separation of suction material and liquids	■	■	■	■	■	■	■
<b>Several filter cleaning methods</b>							
- by hand (Standard)	■	■	■	■	■	■	■
- atmospheric pulse cleaning					□		
- electric filter shaker		□	□	□	□	□	□
<b>Activated carbon filter</b> eliminates smell and toxic steam					□		
<b>Chassis</b>							
<b>Mobile chassis/trolley</b> sturdy, CNC-formed steel, powder coated	■	■	■	■	■	■	■
<b>Stair climbing</b>	■	■	■	■			
<b>High quality castors/wheels</b> with roller bearing and fixing brake for the optimal mobility	■	■	■	■	■	■	■
<b>Ergonomic pushing handle</b> with soft-coating as insulation protection	■	■	■	■	■	■	■
<b>Tension ring system</b> for a constant tight connection between container and cover	■	■	■	■	■	■	■
<b>Filter chamber from stainless steel</b> <b>connection nozzle with fast coupling</b> for easy and secure connection of the suction hose							
- Ø 60 mm vessel entry	■	■	■				
- Ø 80 mm vessel entry				■	■	■	■
<b>Closing plug</b> avoids the escape of harmful dusts when no hose is connected	■	■	■	■	■	■	■
<b>Accessory basket</b> for the secure storage of accessory	■	■	■	■	□	■	■
<b>Hand tube holder</b> to store the hand tube					■	■	
<b>Long connection cable</b> 8m for a large radius	■	■	■	■	■	■	■
<b>Storage for the connection cable</b> hook for the secure storage of the connection cable					■	■	

<b>Disposal</b>							
<b>Dirt container from stainless steel</b> High quality stainless steel 1.4301 for sturdy usage and suitable for hygienic sensitive areas with comfortable lowering for easy disposal of the absorbed matter							
dirt container <b>25 liter</b>	■	■					
dirt container <b>35 liter</b>			■	■	■		■
dirt container <b>60 liter</b>						■	
<b>Longopac- disposal system</b> "Endless"-plastic disposal bag for contamination free and easy disposal of the absorbed matter				■/□			■/□
<b>Automatic fill level control</b> rotating paddle sensor monitors the filling level of the dry dust in the dirt container							
<b>Accessory included in delivery</b>							
<b>Suction hose</b> sturdy and flexible quality for mobile working							
- 3,5 m, Ø 40 mm	■	■	■	■	■		
- 3,5 m, Ø 50 mm						■	■
<b>Crevice nozzle</b> for various suction tasks							
- Ø 40 mm	■	■	■	■	■		
- Ø 50 mm						■	■





**EVOTEC**

### Your advantages:

- Top quality – professional manufacturing
- Heavy duty and long-living materials
- Convincing functionality and ergonomics
- Unexpected new solutions
- Flexible and economical in use
- Competence from more than 30 years
- High aspiration in design and operator convenience

