

S-1000 - WELDING TABLE WITH ARM AND DOWNDRAFT EXHAUST

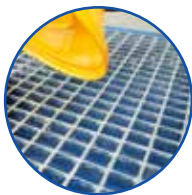
S-1000 welding table is a work station equipped with air pollution capture and exhaust devices which appear with workshop processes (especially during welding). S-1000 table frame, made of heavy duty square profiles, features built-in downdraft exhaust, fume arm connection inlet and ZWR-03 aluminium radial impeller fan unit. Downdraft exhaust and fume arm individual dampers allow airflow adjustments as fan unit transports air pollution to the outside of premises (discharge installation must be connected). Surface of the S-1000 welding table has been coated with conductive corrosion protection and grounding table can be connected on left or right side of the table frame. S-1000 welding table complete sets are offered with revolving table for more productive work on smaller elements.

APPLICATION

- heavy duty workbench with two exhausts for welding, cutting, grinding and many more for those who require reliable and long operational life time equipment
- air pollution capture with down draft and within range of fume arm

CONSTRUCTION

- aluminium radial impeller 0,75 kW fan unit
- rigid, heavy duty, welded steel construction
- downdraft with-in the table surface
- easy to adjust airflow with two built in dampers (within the arm and table)
- revolving table on the table surface
- all parts powder coated (except for work surface)
- works with 160 fume arm models
- model technical data sheet



downdraft with heavy duty grate



standard shelf



ready for Oskar 160
or Econ 160 fume arms



revolving table



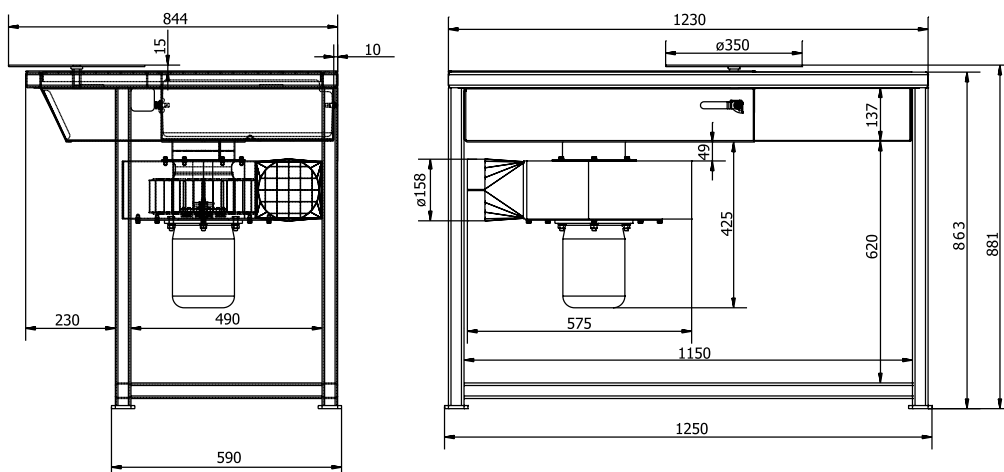
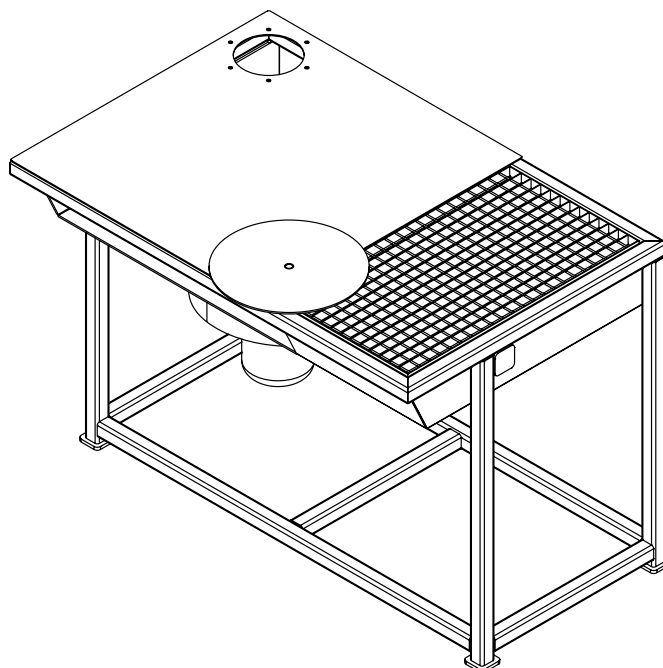
aluminium
radial impeller fan



grounding connection

TECHNICAL DATA

Airflow	1000 m ³ /h
Weight (without arm)	120 kg
Noise level	76 dB(a)
Motor power supply (voltage)	3x400 V / 50 Hz
Motor power	0,75 kW



All diameters are given in mm

S-1000 WELDING TABLE

304101576 S-1000 welding bench equipped with ZWR-03 extraction fan 0,75 kW, 400 V, 3 phase (single phase on request) and ZAR-WS motor switch. Rigid welded metal table frame with down draft built-in. Unit without the arm - to be chosen from arms and options below.

S-1000 WELDING TABLE - ARMS AND OPTIONS

W02-01-1617P	Oskar fume arm 1617, reach 1,7 m, hood inlet Ø315 mm
W02-01-1620P	Oskar fume arm 1620, reach 2 m, hood inlet Ø315 mm
W02-01-1630P	Oskar fume arm 1630, reach 3 m, hood inlet Ø315 mm
W02-HA-1620P	Hose arm model HA1620, reach 2 m, hood inlet Ø315 mm
W02-HA-1630P	Hose arm model HA1630, reach 3 m, hood inlet Ø315 mm
P02-80-0101	Light kit option (MOD-L) with transformer for one Oskar arm
P02-80-0102	Light kit and automatic (welding arc triggered) fan start/stop option for one Oskar arm MOD-A + ZAR-A
P07-01-3001	Revolving table for workbench
100160	Walls around the back and side the workbench surface option